

# STROBE 16

## INSTALLATION INSTRUCTIONS

### INSTALLATION OVERVIEW:

1. Unpacking & removal of protective packaging
2. Location selection
3. Cable routing
4. Mounting to installation surface
5. Connecting

### TOOLS REQUIRED:

- small Philips screwdriver for opening strobe case
- small flathead screwdriver for internal connections
- hardware and drill for affixing unit to wall/ceiling.

### 1. UNPACKING

\*\* it is imperative that the packaging material is removed before connecting the strobe to the power source. Failure to do so will result in the protective foam pad melting onto and thus destroying the bulb.

1. Place unit on a dry, flat surface so that glass is facing up.
2. Carefully loosen both black Philips head bolts at one end of the glass.
3. Carefully remove both black Philips head bolts at the other end of the glass.
4. Remove the black metal brace.
5. Carefully remove the glass and place it in a safe place.
6. The bulb is encased in a protective foam pad. Carefully slide the pad off the bulb, allowing the bulb to exit through the slit in the foam pad. Be careful not to move the bulb, nor touch it.
7. Ensure that the bulb hasn't been dislodged, and that the bulb's wires are tucked away.
8. Replace the glass, the brace and gently tighten all 4 bolts. Be careful not to over-tighten the bolts as this will result in the glass breaking.

### 2. LOCATION SELECTION:

For best effect against intruders, position the strobe close to and directed at likely entry points such as doorways, windows, emergency exits, ventilation shafts and the like. The ultimate installation position is one where the intruders are exposed to the strobe immediately upon entering the premises.

### 3. CABLE ROUTING:

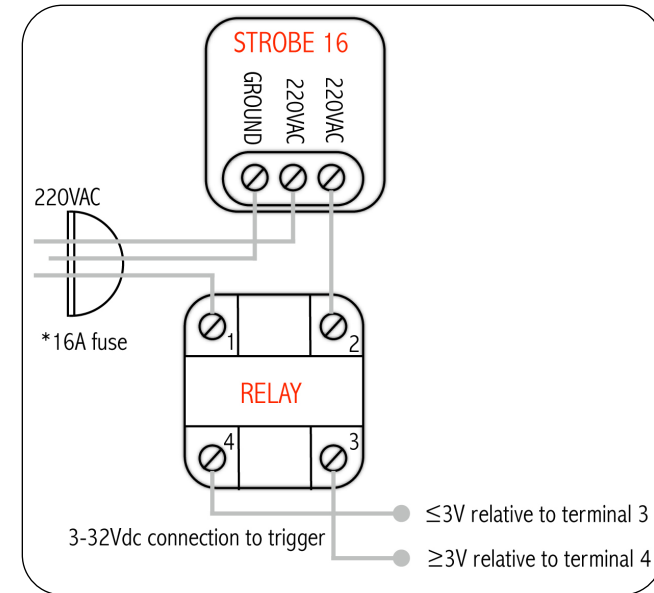
Ensure that appropriate cabling is present at the mounting location. The strobe demands a circuit capable of supplying 16A - ensure that this requirement is met.

### 4. MOUNTING:

Attach the strobe securely to the selected surface using the appropriate hardware. Despite only weighing 3.0kg, it is recommended that the appropriate toggles/wall anchors are used when mounting the unit on fragile surfaces such as gib. Use all mounting holes to ensure the unit is safely & securely attached to the surface.

### 5. CONNECTING:

Please refer to wiring schematic on following page.



### TECHNICAL SPECIFICATIONS:

Flash frequency :	0-12/second, user selectable
Dimensions (mm) :	460 x 220 x 125
Weight :	3.0kg
Power consumption :	220-230VAC, 50/60Hz
Current draw :	16A
Wattage :	2,700W
Relay :	Output : 12-280VAC, 25A. Input : 3-32VDC



SONIC FORCE  
SECURITY

WWW.SONICFORCESECURITY.COM.AU  
+61 (0)438-729 807

Sonic Force Security makes no representation that this device will prevent personal injury or property loss, or that the device will in all cases provide adequate warning or protection. The purchaser should understand that a properly installed and maintained alarm system may only reduce the risk of a burglary, robbery or other act, and that the alarm is not insurance or a guarantee that such will not occur, or that there will be no personal injury or property loss as a result. THEREFORE, SONIC FORCE SECURITY SHALL NOT BE LIABLE FOR ANY CONSEQUENTIAL OR INCIDENTAL DAMAGES IN CONNECTION WITH THE USE, INSTALLATION AND/OR MAINTENANCE OF THE DEVICE, including, but not limited to, liability for any property damage, bodily injury, or other loss based on a claim that the product failed to give warning, or any cost or expense of providing substitute equipment or service during periods of malfunction, non-use or maintenance. In no event shall the liability of Sonic Force Security exceed the purchase price of the product.